

### AirMaid-W



#### Installation

Check that the generator is free from damages after shipment.

The generator can easily be installed on a horizontal surface, preferable 2m above floor. Make sure that the airflow through the generator is not limited by any surroundings.

It is also possible to order extension tubes for external tubing systems. The diameter of the extension tube is 70mm and can be connected either to the inlet or outlet side of the generator.

The generator must be protected from water and high temperatures (above 50°C).

Connect the power cable to a grounded power outlet of 230VAC / 50Hz.

*All AirMaid products are designed to withstand a relative humidity of 85 %. The electronics are hermetically sealed and can not be damaged by ozone or high humidity.*

#### Operation

The generator has a main power switch and one adjustable knob. The ozone level can be adjusted in steps of 50, 100, 150 and 200 mg/h.

The production of ozone occurs on two ceramic substrates at the outlet of the generator. Avoid looking at the arc from the ozone production.

If the ozone production tends to decline it might be necessary to clean the surface of the ceramic substrates. Unplug the main power cable and remove the cover of the generator (by 4 screws). Clean the surface of the ceramics by a soft towel together with some cleaning spirit.

The efficiency of the ceramics might decline in the long run. In this case the ceramics must be changed. To change the ceramics remove the ceramic parts from its metallic holders and unplug the power cables. Install new ceramics in the same way. **DO NOT USE ANY SHARP TOOLS FOR CHANGING THE CERAMICS.** New ceramics can be ordered from the distributor.

### Technical specifications

#### Model

AirMaid 1000-W

#### Ozone capacity

0-200 mg/h

#### Dimensions

WxHxD: 274x97x118mm

Weight: 2kg

#### Electrical data

Voltage: 230 V / 50 Hz

Power: 30 W

#### Material

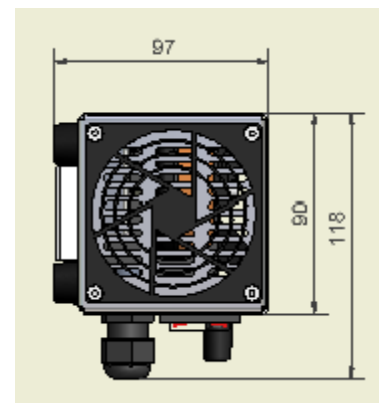
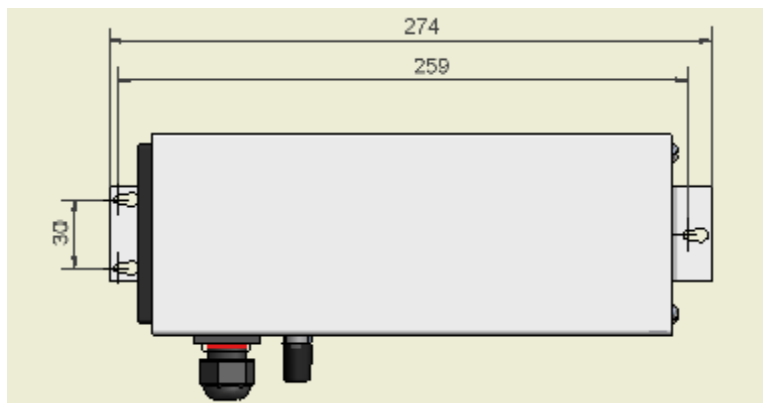
AISI 316.

#### Properties of ozone

Ozone is a powerful oxidation agent and too high concentration of ozone can be harmful to health. Local recommendations has to observed and followed.

Interzon recommends that all persons that are using the generator should be aware of risks involved with elevated concentrations of ozone.

**CE** Complies with EMC and low voltage directives. For more information please contact Interzon AB.



#### Address

Interzon AB  
Propellervägen 4A  
SE-183 62 Täby, Stockholm

#### Phone

+46-8-544 444 30

#### Fax

+46-8-544 444 39

#### E-mail

[info@interzon.se](mailto:info@interzon.se)

#### Internet

[www.interzon.se](http://www.interzon.se)

#### VAT-No.

SE556746684101